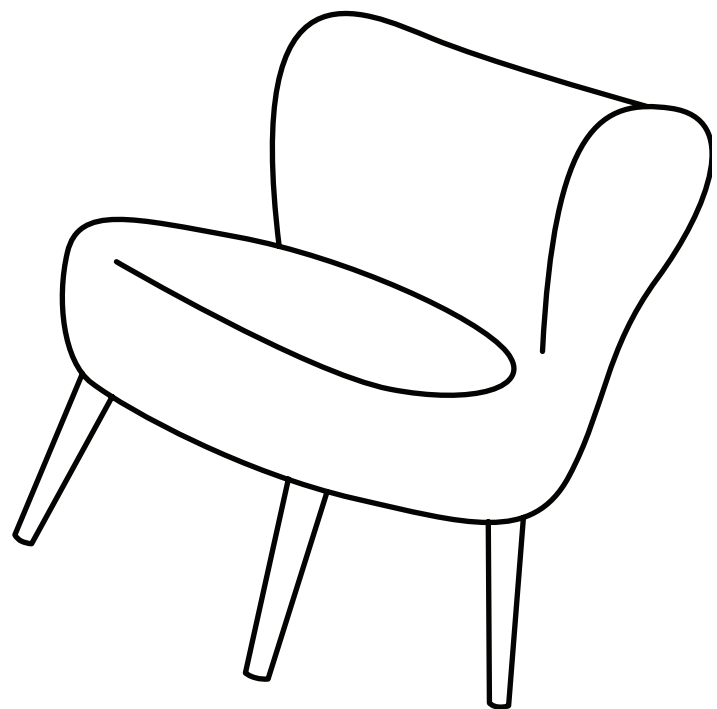
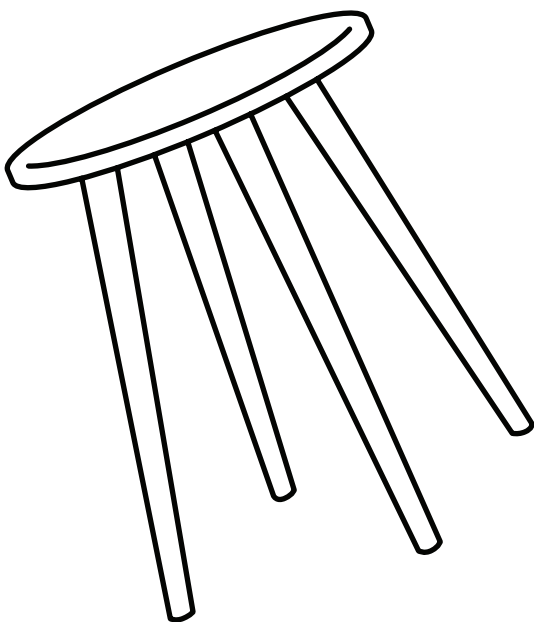


# Hello, I've arrived!

Now that I'm here you are only one flat-pack away from transforming your home.



**Mocka.**

# Thank you for supporting us.

We believe design belongs to everyone. From materials and processes to safety testing, production and delivery, we are passionate and committed to bringing you the best possible product so you can create beautifully functional spaces to feel comfortably you.

## Here are a few assembly tips before you get started:



### Make Time

The first step to all seamless assembly is taking a moment to carefully read through the instructions—you are already on your way to creating a beautifully functional space!



### Set The Mood

Put on your favourite playlist, order that pizza and pour yourself a drink to get in the mood!



### Tool Check

Layout the instructions, screws and panels to check you have everything you need. A blanket or soft floor rug will help protect your new favourite item from scratches and a drill will speed up the assembly too!



### Room Reveal

You did it! Take a step back and enjoy the moment. Don't forget to recycle any packaging and share a pic of your room reveal—we love seeing how you transform your home! **Tag us @mockaaustralia/@mockaanz**

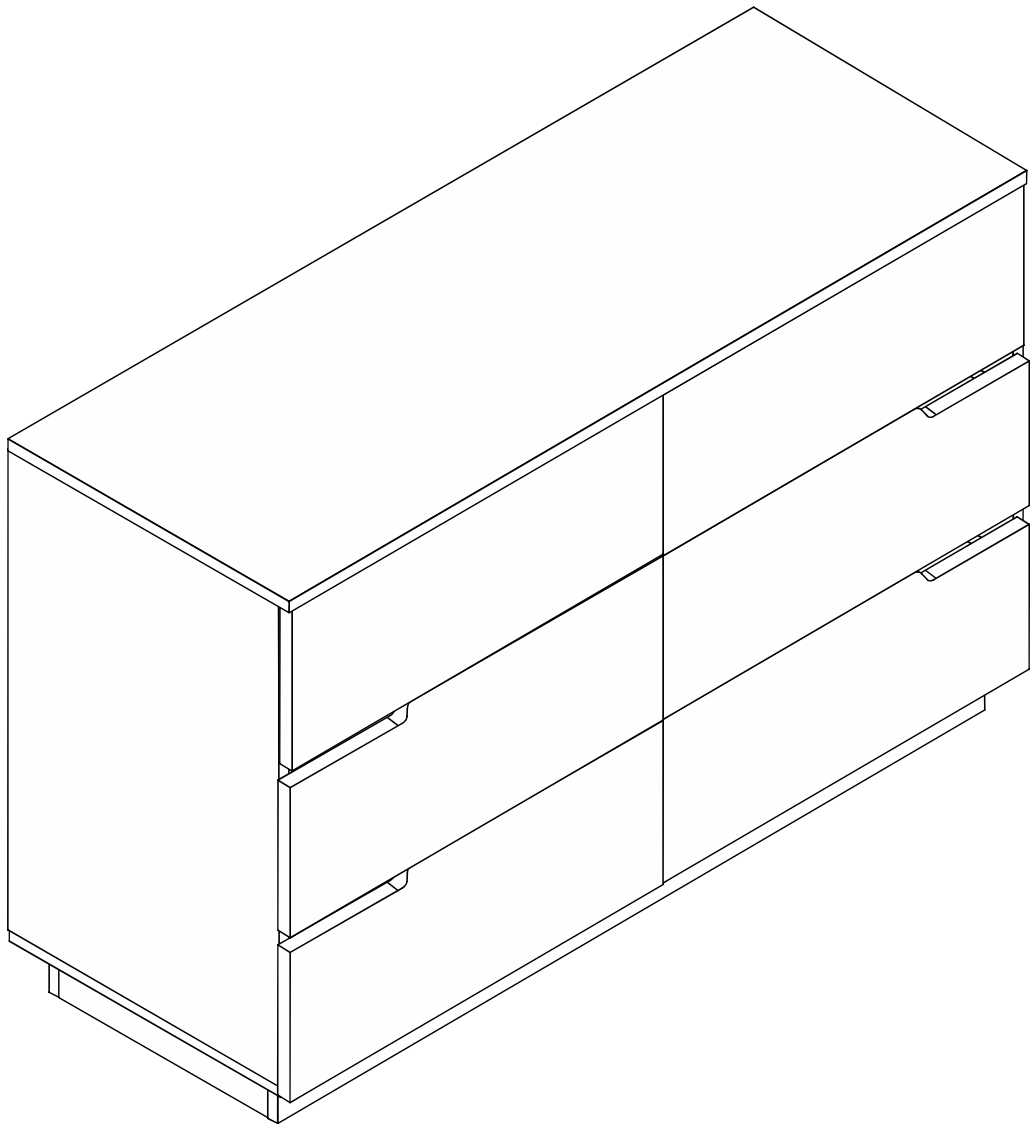
Happy flat-packing!

*The Mokka Team*

# Zack

## Six Drawer

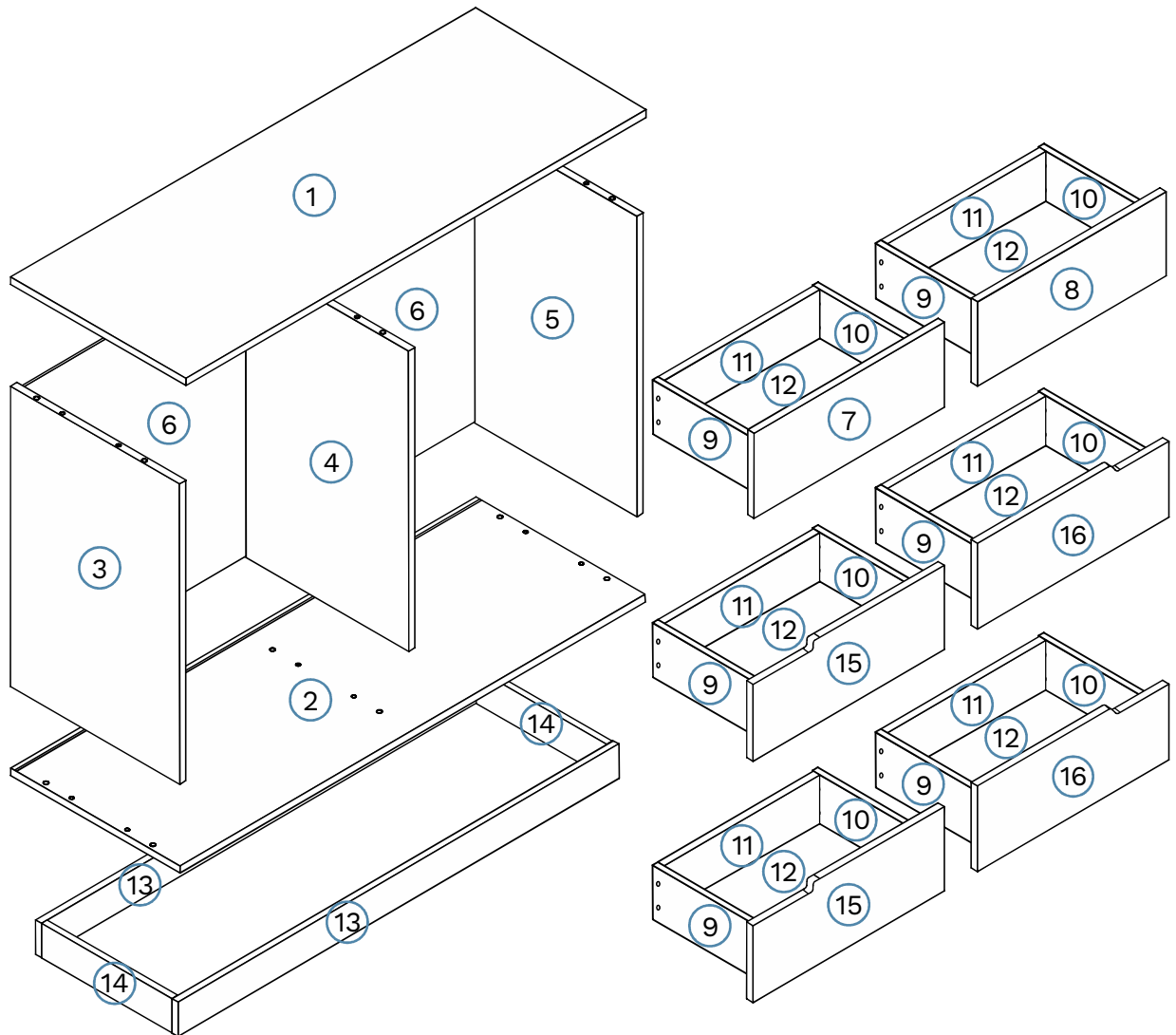
Thank you for your purchase. Please follow the instructions for correct assembly. While we took great effort to ensure these assembly instructions were correct at the time of printing, sometimes updates are required post production. For the most up to date versions please refer to the product page on our website. [mocka.com.au/mocka.co.nz](http://mocka.com.au/mocka.co.nz)



# Zack

Six Drawer

## Panel Layout

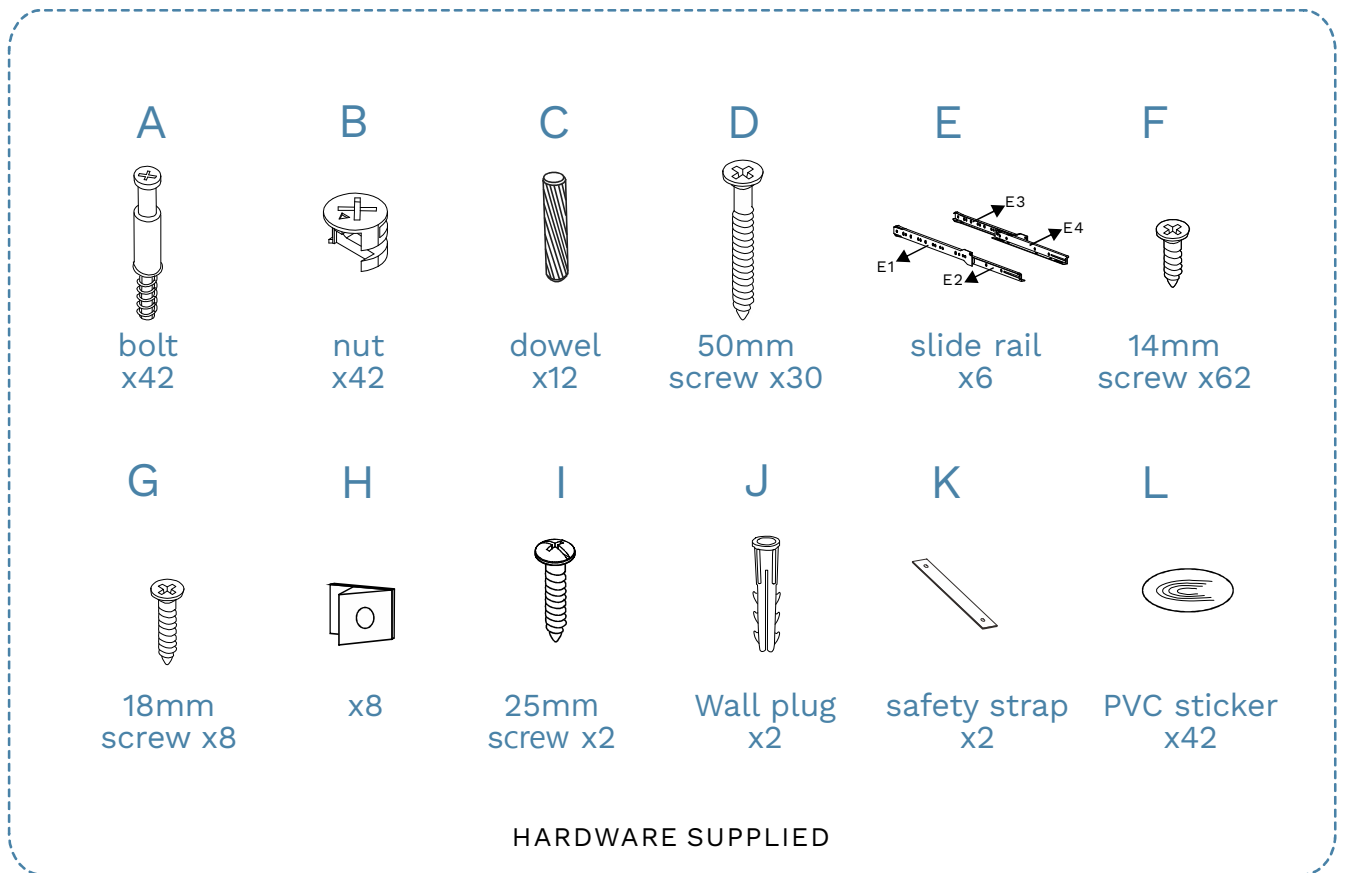


## Partlist

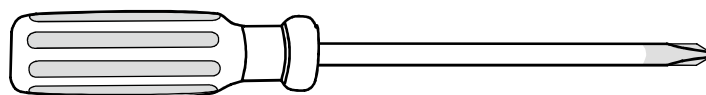
①	Top panel	x1	⑨	Left Side Drawer Panel	x6
②	Bottom Panel	x1	⑩	Right Side Drawer Panel	x6
③	Left Side Panel	x1	⑪	Drawer Back Panel	x6
④	Middle Panel	x1	⑫	Drawer Bottom Panel	x6
⑤	Right Side Panel	x1	⑬	Base Panel	x2
⑥	Back Panel	x2	⑭	Base Side Panel	x2
⑦	Drawer Front Panel	x1	⑮	Drawer Front Panel	x2
⑧	Drawer Front Panel	x1	⑯	Drawer Front Panel	x2

## Zack

## Six Drawer



**WARNING:** Any furniture that is not anchored to a wall has the potential to tip over in certain circumstances, i.e. if a child attempts to climb up on the furniture or in the event of an earthquake. Accordingly, we recommend that all furniture is anchored to a wall. We supply a free safety wall anchor with all furniture sold and we recommend these are used to prevent your product tipping. The fixing device provided should fit most wall types, but please note that different wall materials may require different fixing devices from those supplied.



Phillips screwdrivers required.

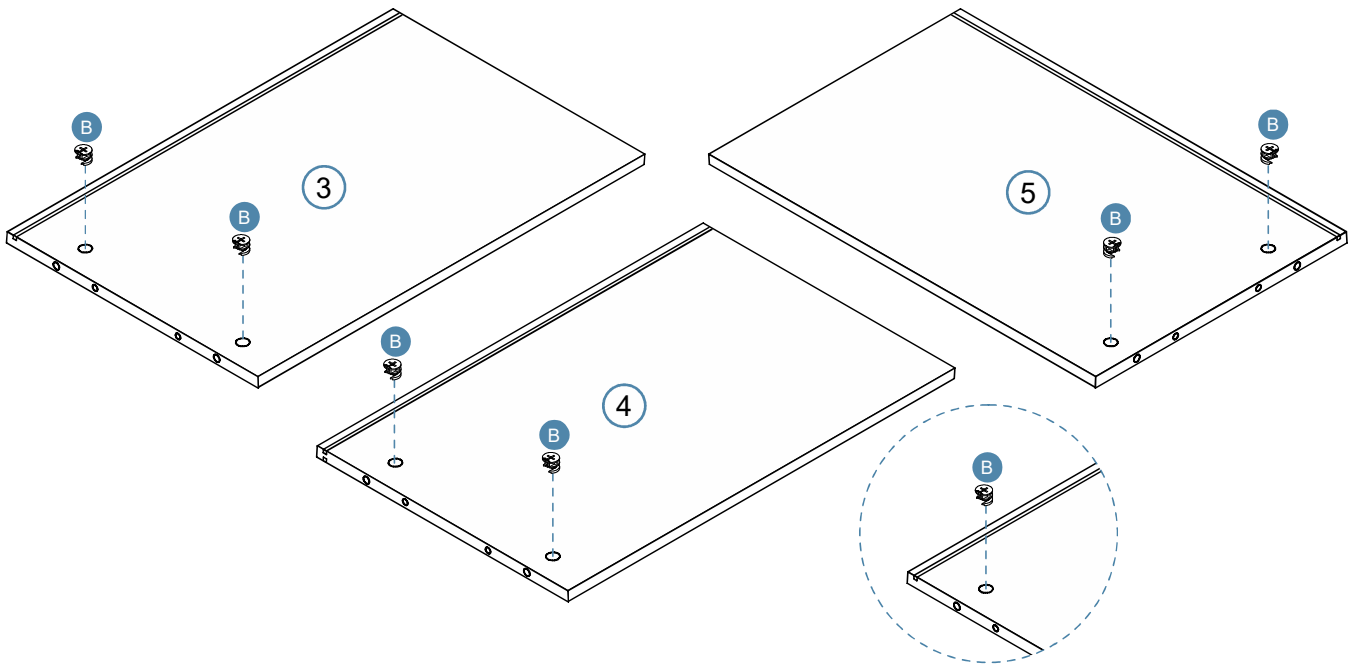
For quicker assembly, we recommend the use of a power drill on a low-speed setting.

# Zack



## Six Drawer

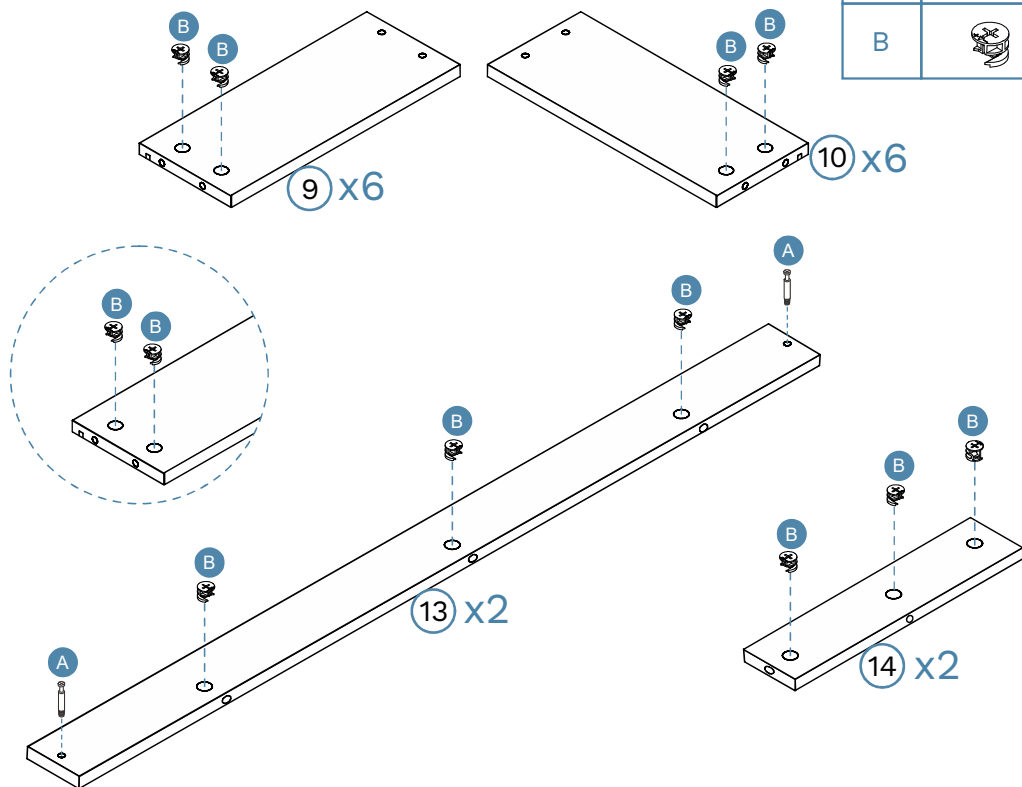
1

Hardware Needed		
B		x6



2

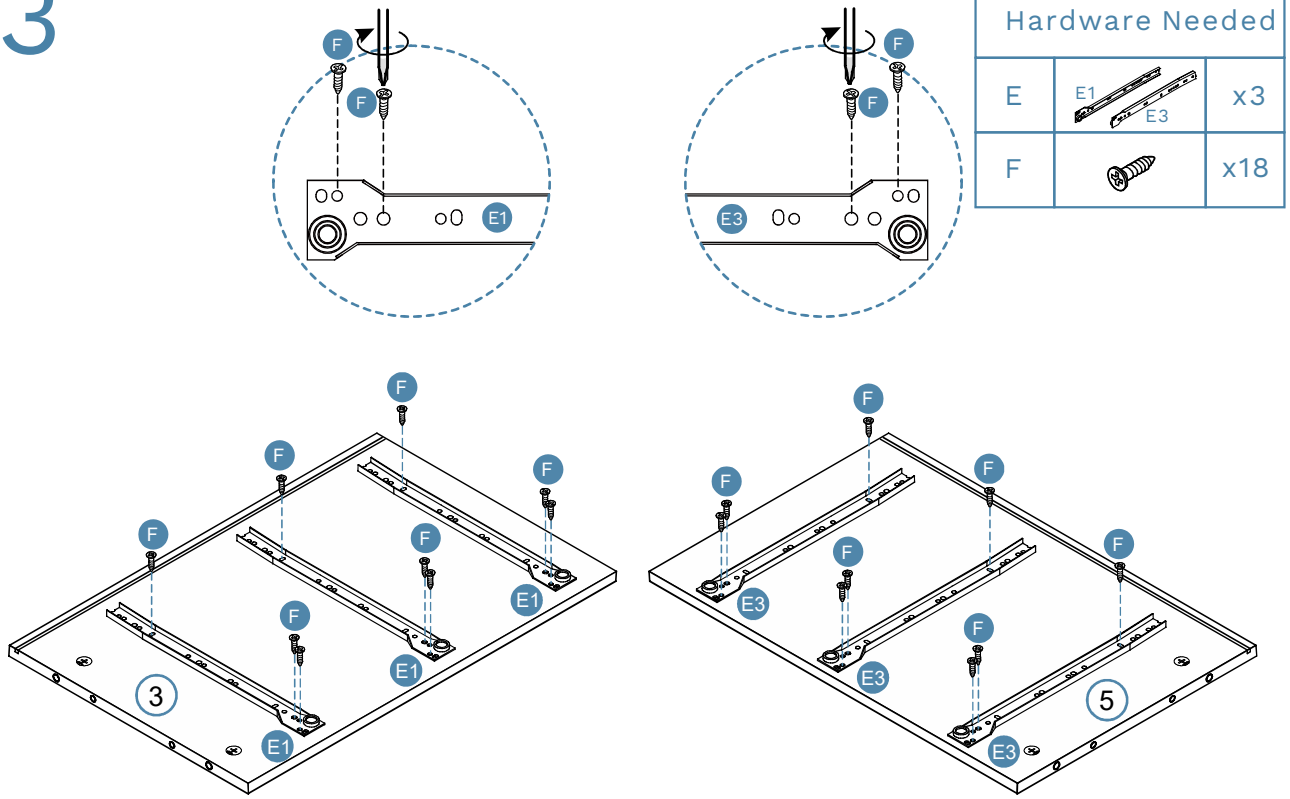
Hardware Needed		
A		x4
B		x36



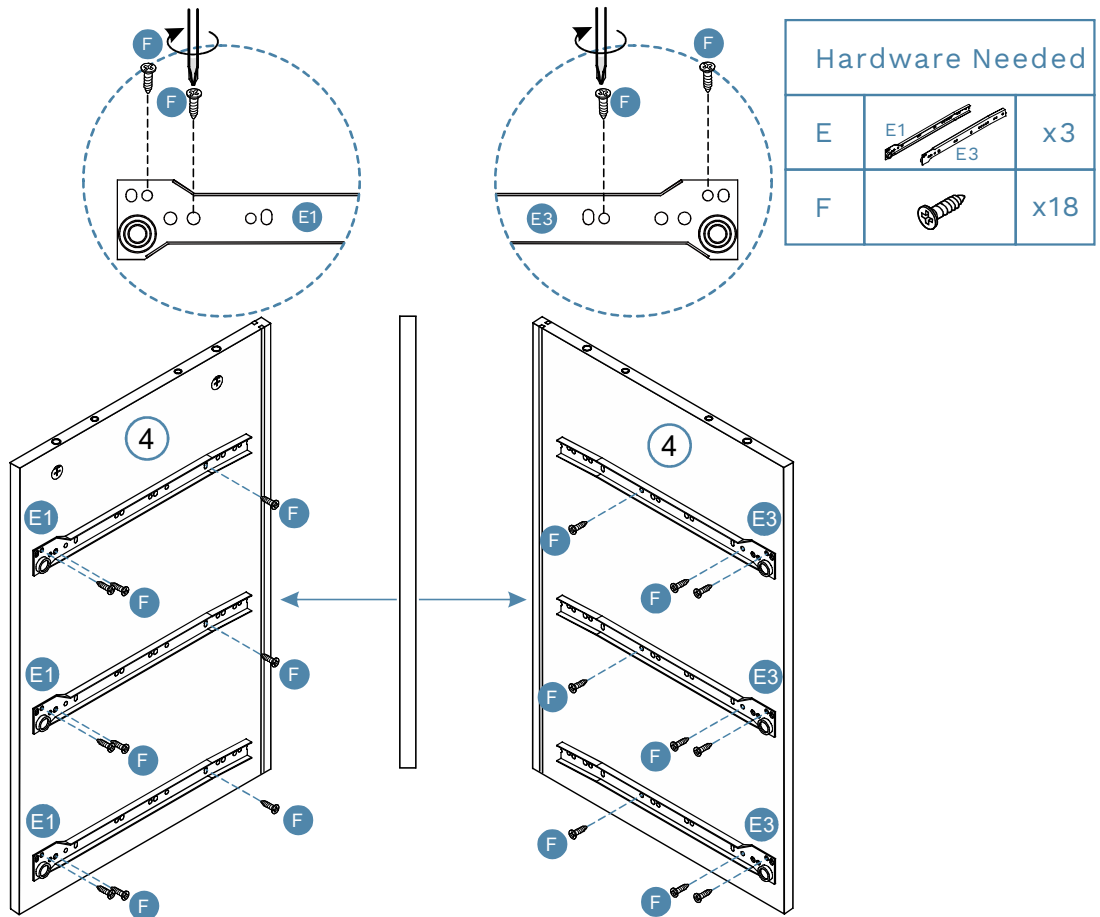
# Zack

## Six Drawer

3



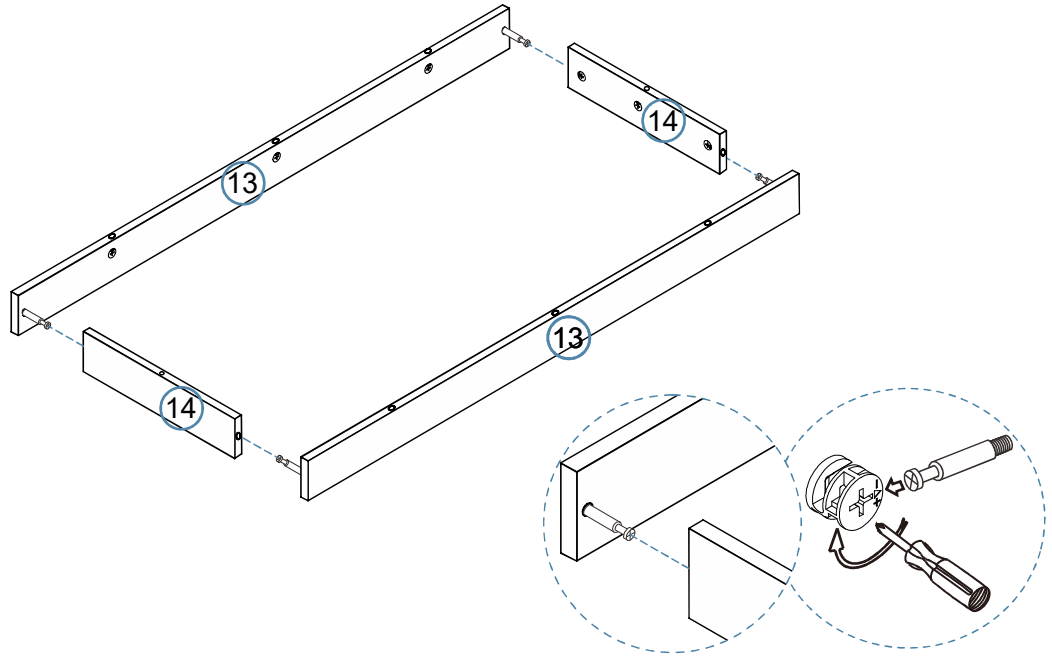
4



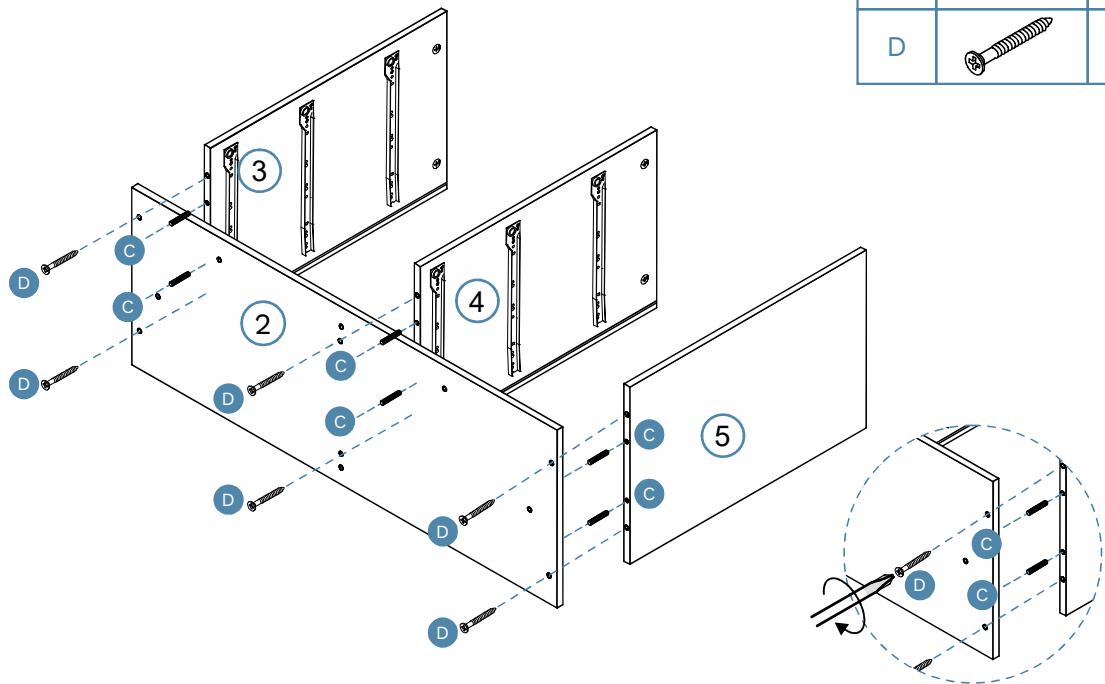
# Zack



## Six Drawer

5



6



Hardware Needed		
C		x6
D		x6

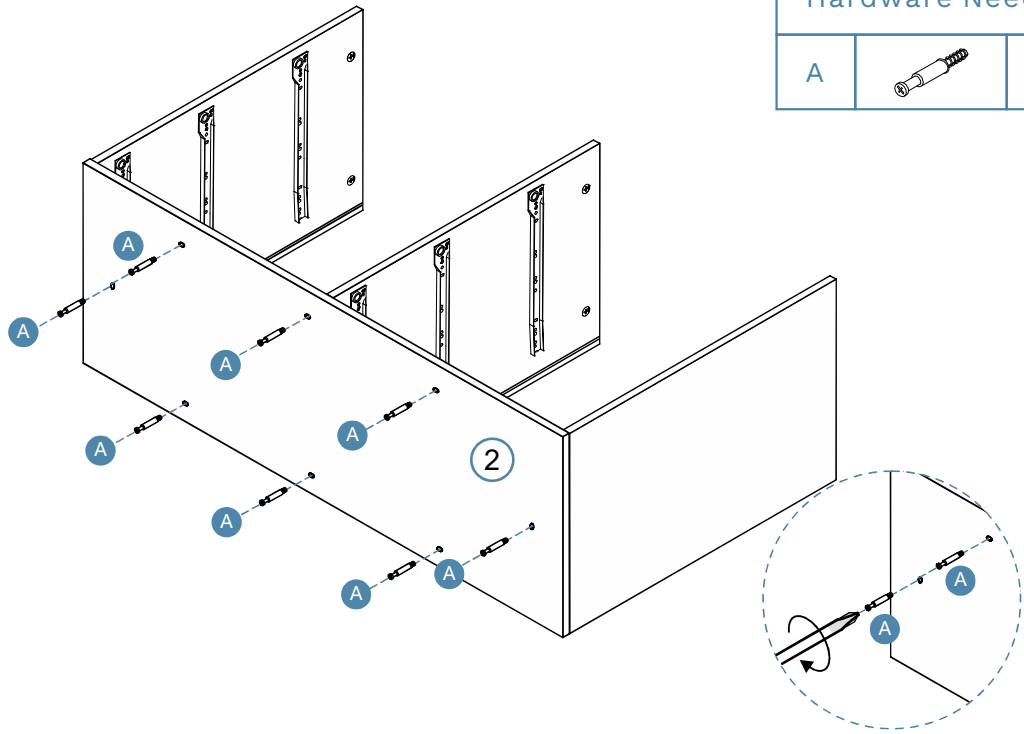


# Zack

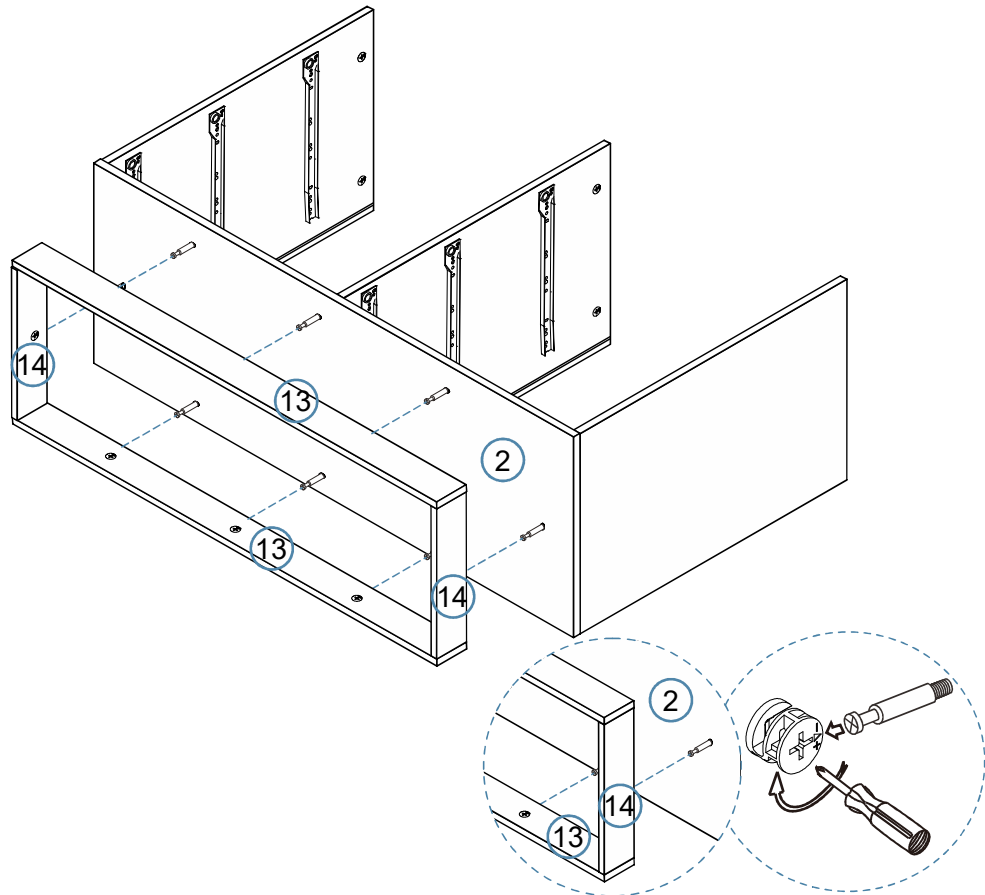
## Six Drawer

7

Hardware Needed		
A		x8



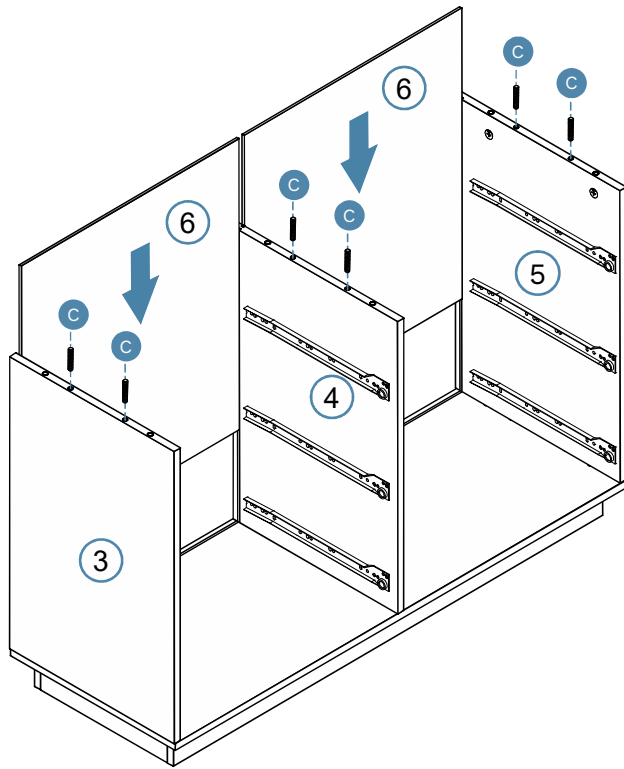
8



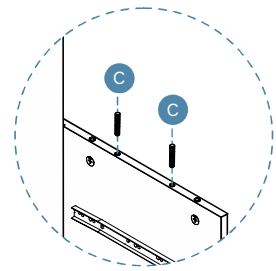
# Zack

## Six Drawer

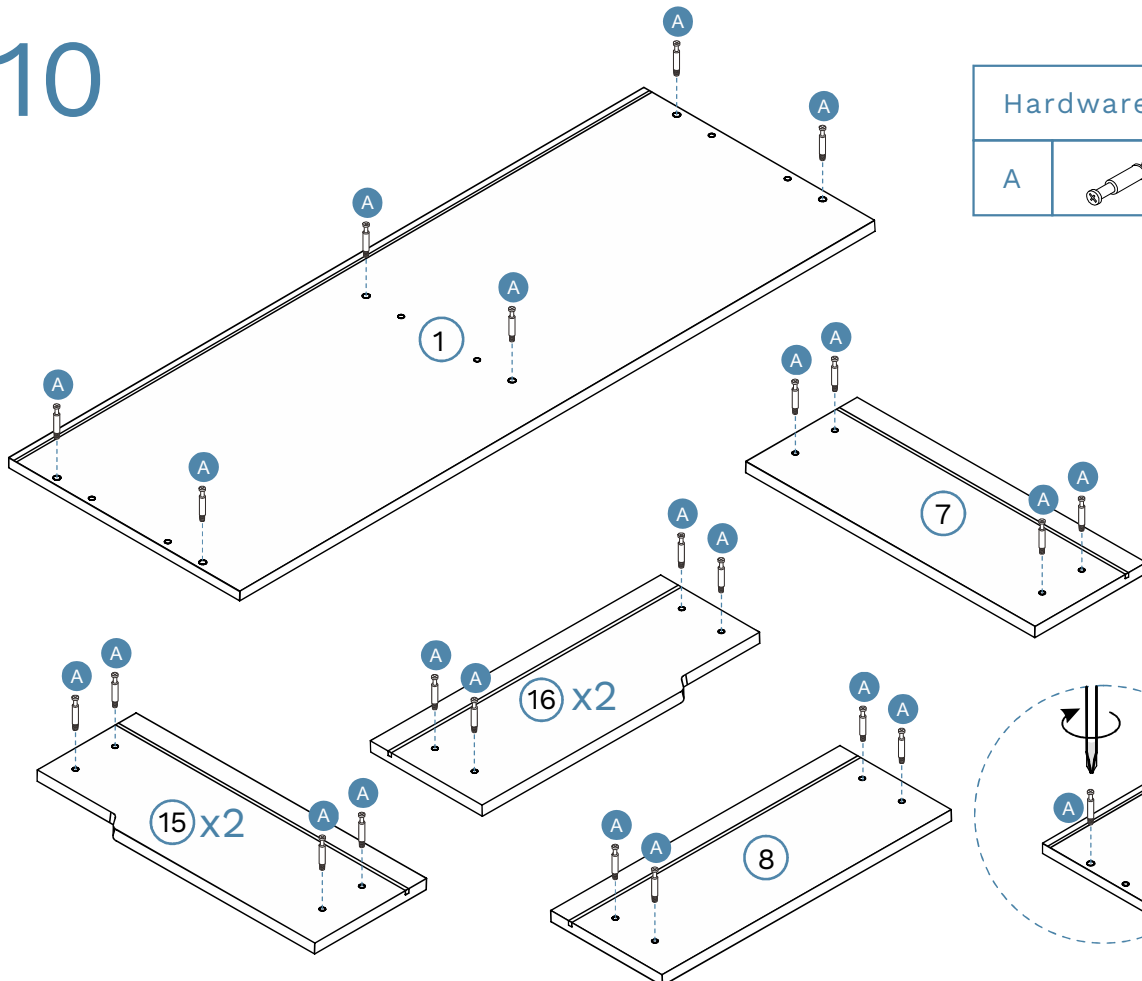
9



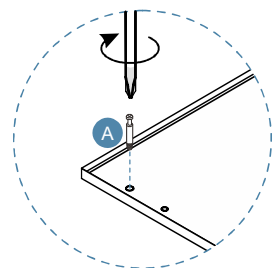
Hardware Needed		
C		x6



10



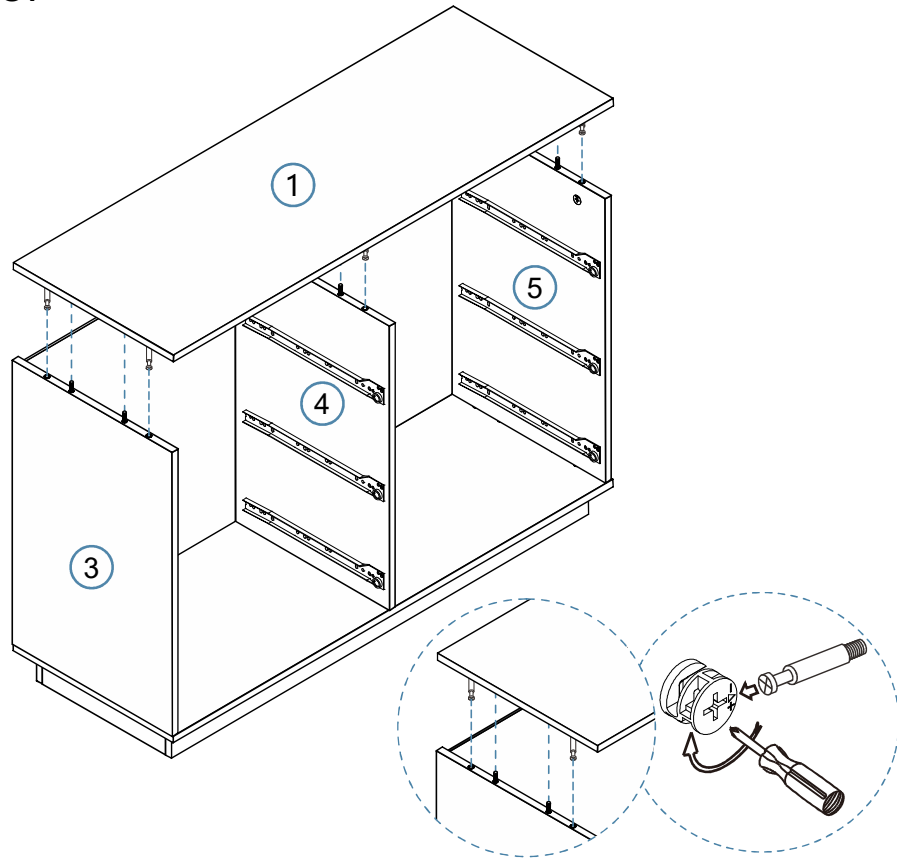
Hardware Needed		
A		x30



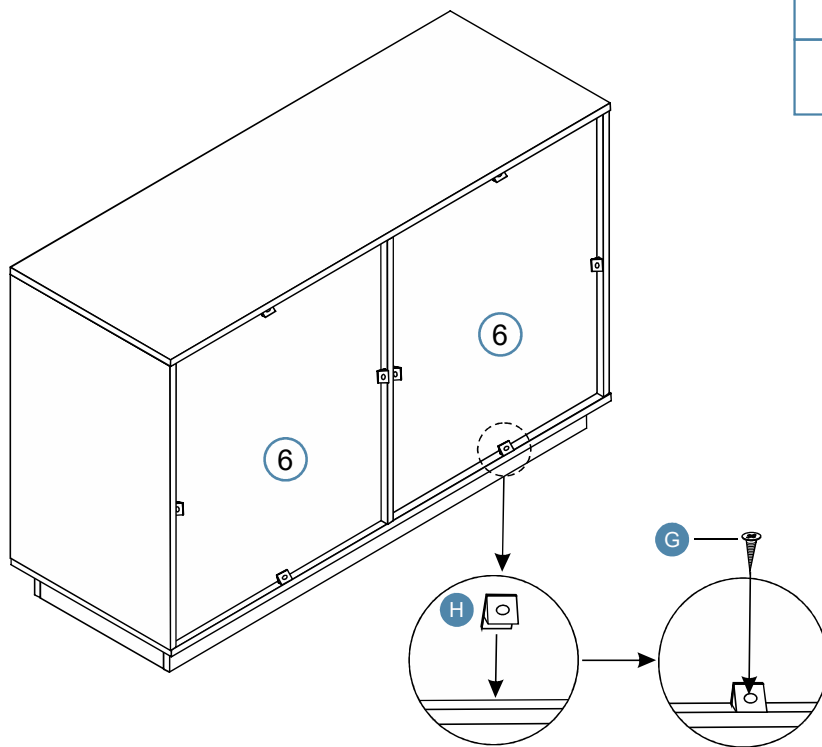
# Zack



Six Drawer

11



12



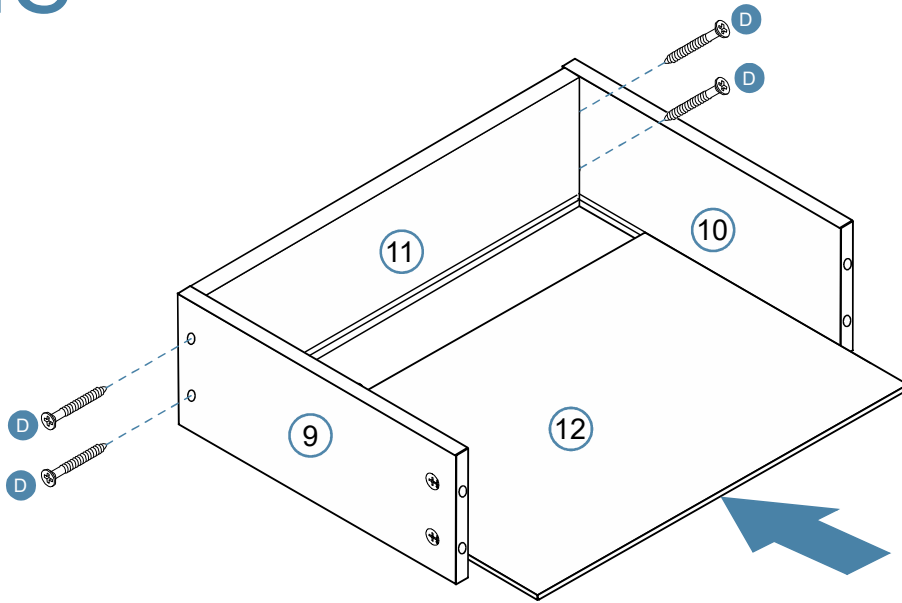
Hardware Needed		
G		x8
H		x8

# Zack

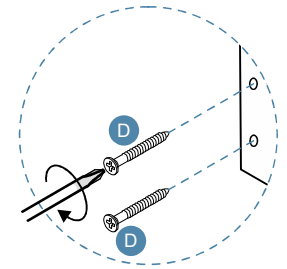
Six Drawer

13

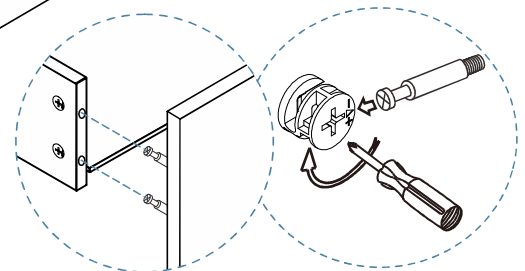
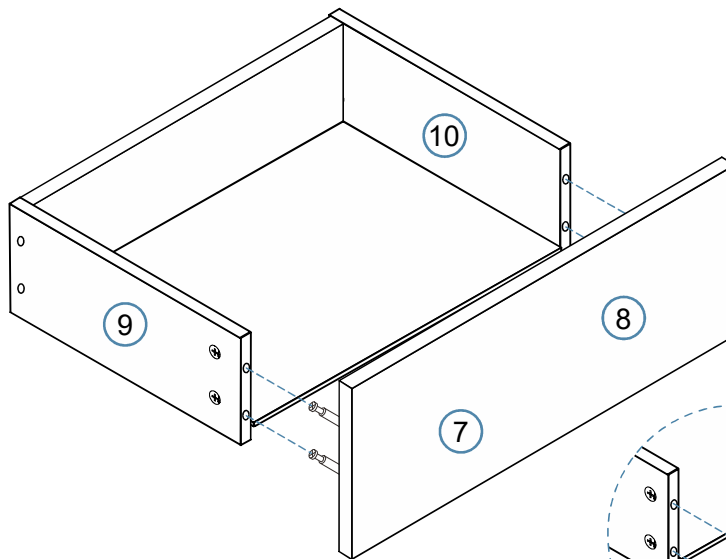
Hardware Needed		
D		x24



x6



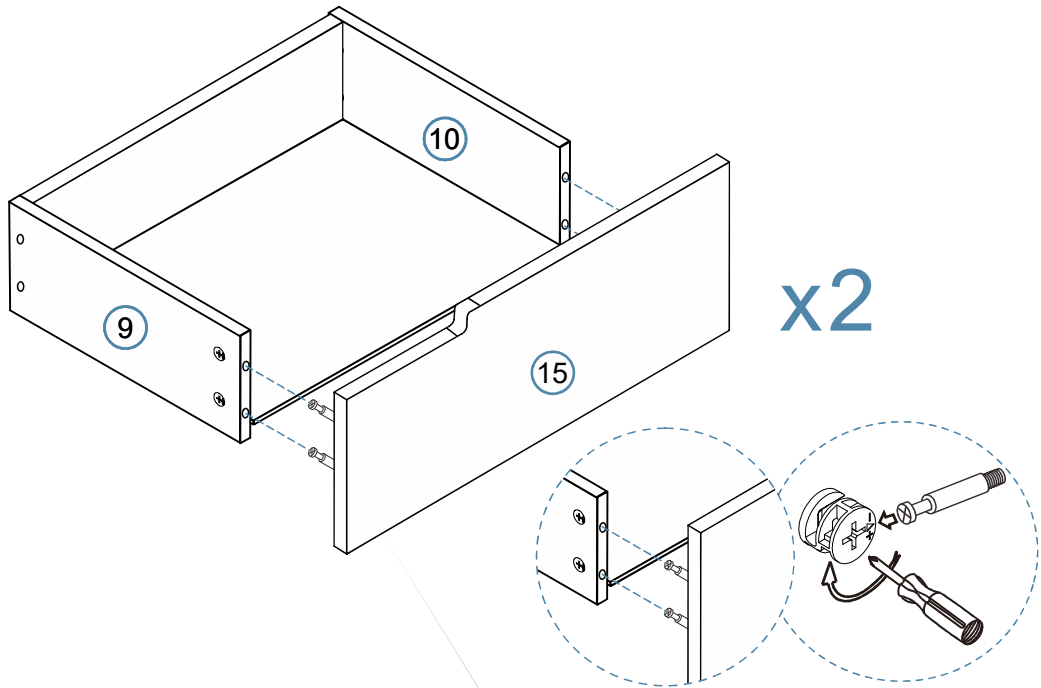
14



# Zack

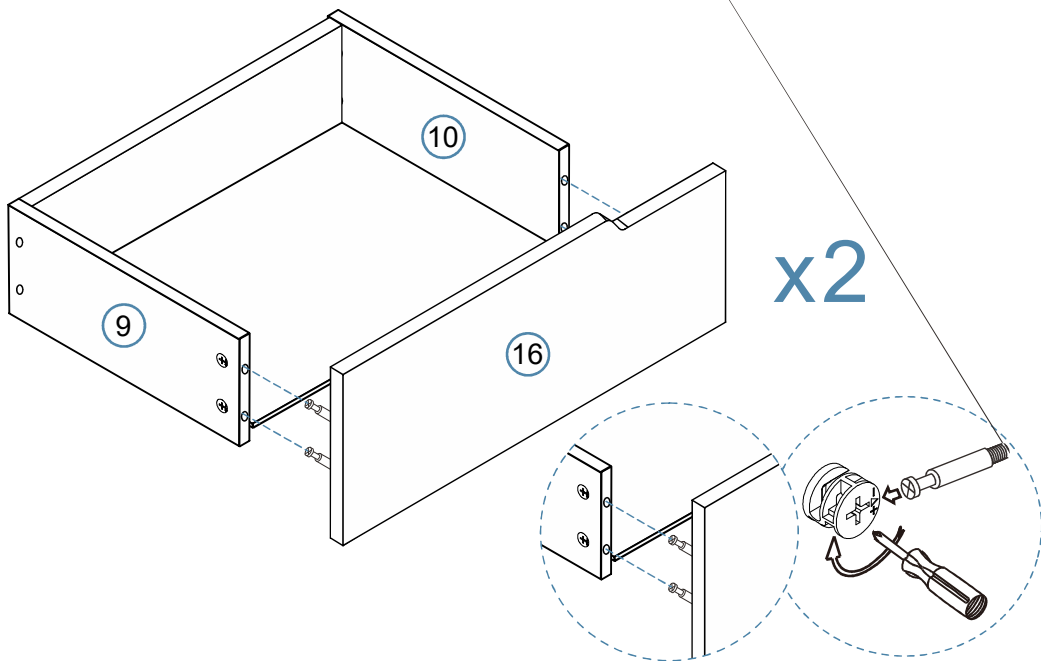
Six Drawer

15



x2

16





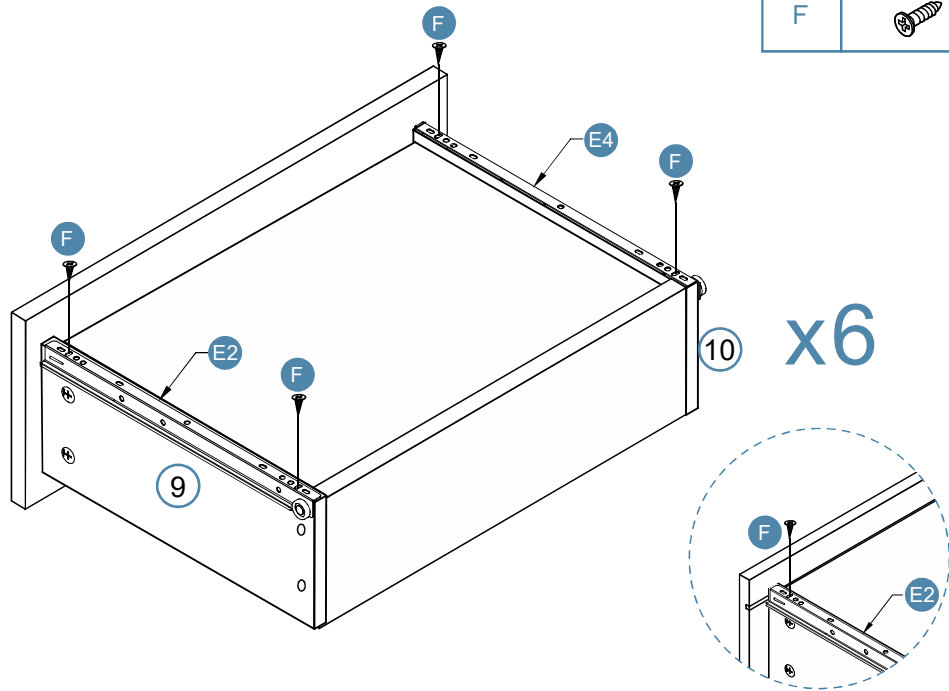
x2

# Zack

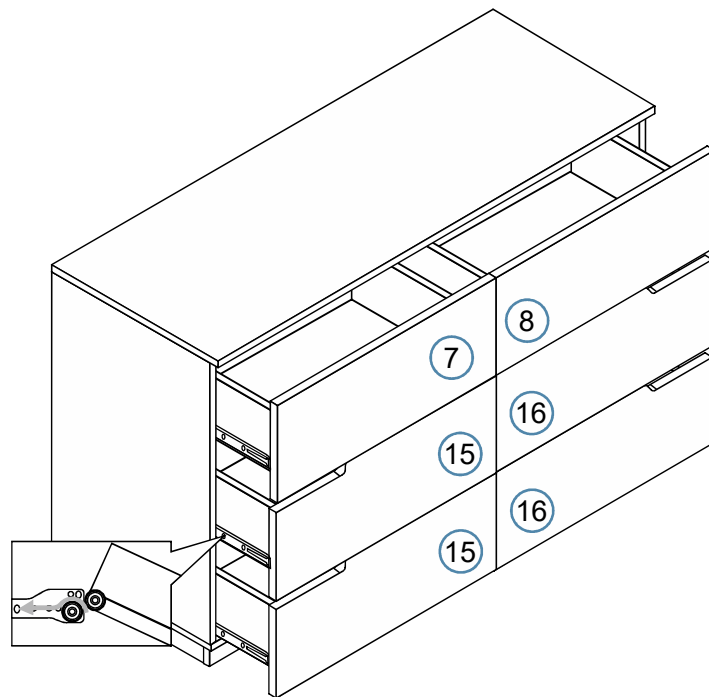
Six Drawer

17

Hardware Needed		
E		x6
F		x24



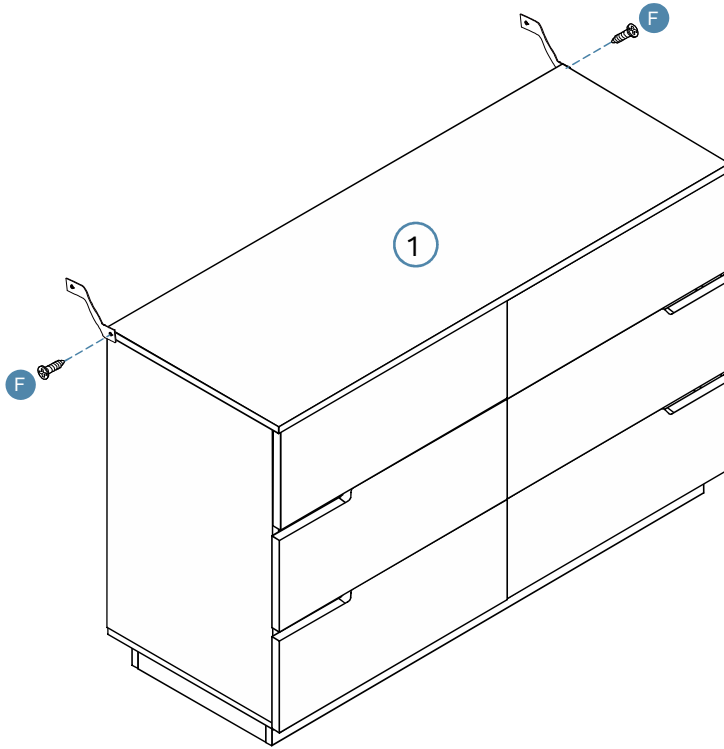
18





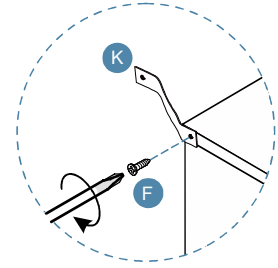
# Zack

Six Drawer

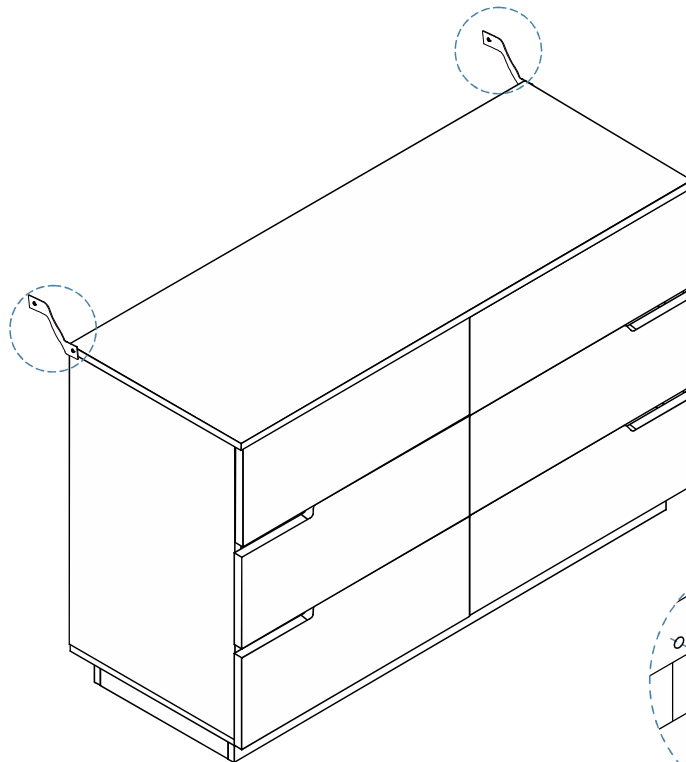
19





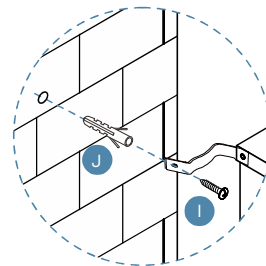
Hardware Needed		
F		x2
K		x2



20



Hardware Needed		
I		x2
J		x2



# Zack

Six Drawer

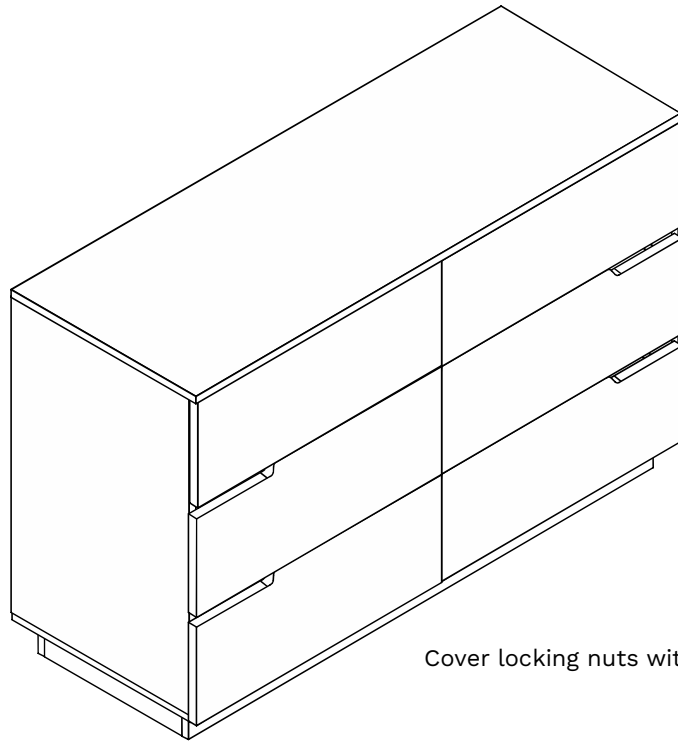
## 21

Hardware Needed

L



x42



Cover locking nuts with stickers (L)

You're done, enjoy!